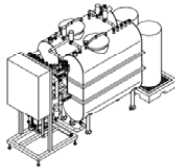
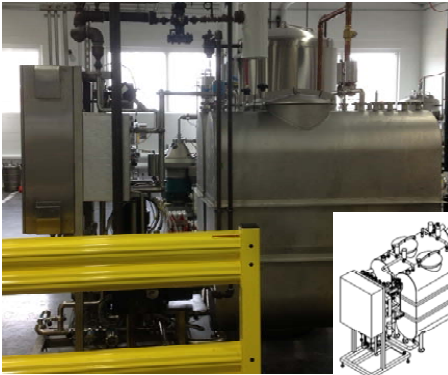


MEC-FX series CIP systems...

...Effective CIP cleaning of Brewery Equipment



The MEC-FX series CIP cleaning equipment is specifically designed to address the challenges and issues associated with cleaning brew house skids (mashtun, brew kettles, whirlpools), fermenters, storage tanks and transfer lines within small to medium sized breweries.

- Full TACCT cleaning performance & flexibility
- High impact CIP cleaning of equipment & transfer lines
- Effective cleaning, while reducing chemical & water consumption, limit waste
- Truly modular hardware & software platform
- Multi-level CIP cleaning - from semi to fully automated
- Stand-alone or fully integrated w/brew house PLC & HMI

Typical uses & applications:

Brewery

- Brew house skids (mashtun, brew kettles, lautertuns, whirlpools, etc.)
- Transfer / fill lines
- Fermenters
- Storage/holding tanks

MEC-FX series CIP systems...

...Specifications in overview

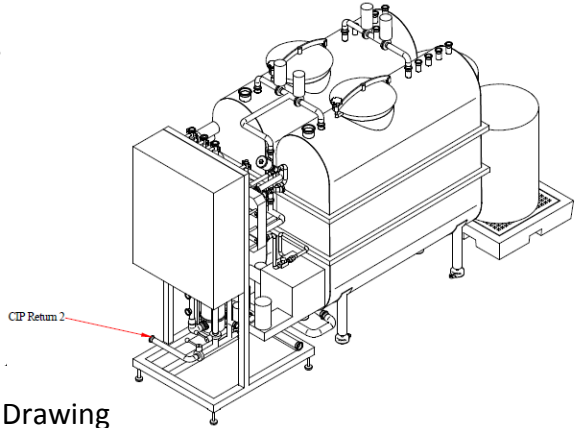
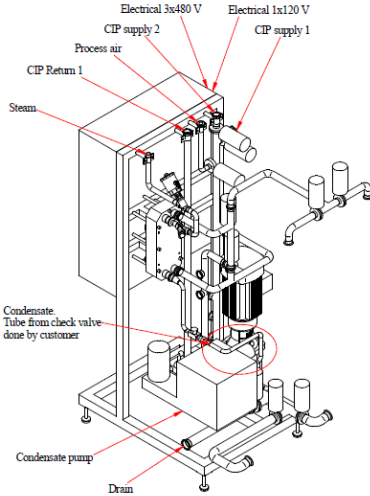
Modular MEC-FX series CIP cleaning system				
Process & Mechanical	Tank (-s)	1-3 tanks	Volume:	100-250 gallon / 380-950 liter
		Atmospheric		
	Supply	CIPS pump	Pressure:	<175 psi / <12 bar
		Frequency controlled	Flow:	<75 gpm / <285 lpm
	Heating	Steam heating	Temp.:	<200 °F / <95 °C
		Plate type HX or injection	<i>Option: Electrical heating module available</i>	
	Return	CIPR pump	Flow:	<75 gpm / <285 lpm
		Self-suction/priming		
	Chemicals	Manual addition	<i>Option: Automatic dosing module (-s) for up to three (3) chemicals available</i>	
		Manual mixing		
Instrumentation	Level, Pressure, Flow	<i>Option: High range and /or low range conductivity sensors available</i>		
	Temperature, Timer			
Materials	Product contact	AISI 316L, FDA approved elastomers		
	Non product contact	AISI 304		
Controls	Automated	NEMA 4x enclosure		
		Allen-Bradley PLC (850 series)		
		6" touch screen HMI panel, E-stop & Stack-light		
		Standard Software package with recipe editor		
		<i>Option: advanced automation platform w/Compact Logix and 12" touch screen HMI panel</i>		
Dimensions	CIP process module	39" long by 31" wide by 80" tall	<i>Enclosure, CIPS pump, HX, process valves and instrumentation</i>	
	Tank (-s)	75" long by 50" wide by 75" tall	<i>Double 250 gallon tanks</i>	
	Chemicals	53" long by 29" wide by 50" tall	<i>Double, 55 gallon drums</i>	
Documentation	Standard documentation package	PID, Layout and Arrangement drawings		
		Component list, electrical & pneumatic schematics		
		Operator manual		
		CD w/technical literature		

Available Configurations:

- Single thru multiple tanks
- 1 – 3 chemical dosing modules
- Single thru multiple CIP supply lines
- Integrated or remote CIPR pump
- Stand-alone or integrated automation platform
- Electric or steam heating
- Waste collection

MEC-FX series CIP systems...

...Utilities & Connections



General Layout & Arrangement Drawing

(Example: two tank MEC-FX series CIP system)

1	City water	min 20 GPM @ 20 psi
2	Process water	min 20 GPM @ 20 psi
3	Compressed air	min 90 psig
4	CIP supply 1	<75 GPM @ 175 psi
5	CIP supply 2	<75 GPM @ 175 psi
6	Plant steam	<100 lbs/hour @ <15 psi
7	Condensate	<100 lbs/hour
8	CIP return	< 75 GPM
9	Drain	< 75 GPM
10	Power, main	3 x 480 N+PE, 60 Hz, 40/60 Amps
11	Power	120V, 60 Hz, 10 Amps

Other Cleaning Related Equipment & Services:

- Dynamic, high impact, spray devices
- Formulated detergents
- Spare parts
- Preventive maintenance
- CIP cycle development
- Phone support

Contact us



THE RIGHT SOLUTION

McFlusion Corp.

1480 Sandhill Drive, #6
Ancaster, ON L9G 4V5
Canada

McFlusion Inc.

2112 Case Pkwy S, #8
Twinsburg, OH 44087
USA

McFlusion Aps

Ådalen 7
DK-4600 Køge
Denmark

Phone: 1-800-341-8616 • Fax: 1-877-934-6788 • Email: mail@mcflusion.com



Satellite office – US North West

20806 NE Sierra Dr.
Bend, OR 97701
USA

Satellite office – US North East

4 Woodhaven Road
Gibbsboro, NJ 08026
USA

125.MEC-FX – Brewery CIP. Rev.1

www.McFlusion.com